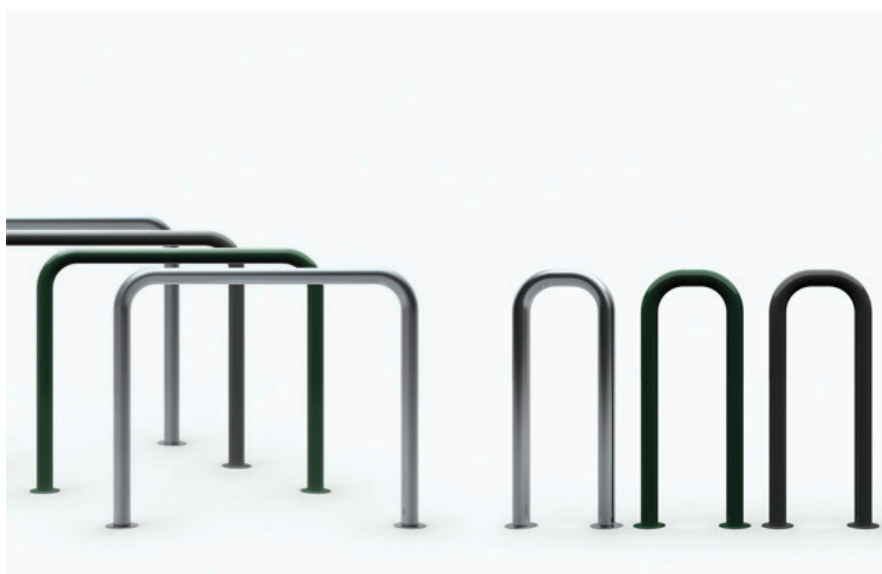


KAAR bicycle rack

A clean silhouette protruding from the ground and the minimalistic form is always uncompromisingly suitable in very different modern architectural contexts, offering solutions that meet different requirements. Kaar bicycle rack has a simple form which strengthens makes it suitable also for traffic barriers.

Design by iseasi





Kaar bicycle rack

FEATURES

A clean silhouette and a minimalistic form.

Bicycles can be parked on both sides and can be locked from the bicycle frame.

Kaar can also be used as a traffic barrier.

Stainless steel and hot-dip galvanized steel have the best durability against rust.

EXTERY quality without compromise- harmonious design, carefully selected materials and engineering considered to the last detail.

MATERIAL

Available in both stainless steel and hot-dip galvanized steel which can be powder coated in many colors. The galvanization is done in accordance with ISO 1461:2009 standard.



Hot-dip galvanized steel



Stainless steel

FINISHING

A variety of different colors for powder-coating the galvanized steel.

RAL recommendation by designer:



RAL 7021



RAL 7016



RAL 6012

INSTALLATION

Permanently attached: with an integrated leg in the concrete laid into the ground.

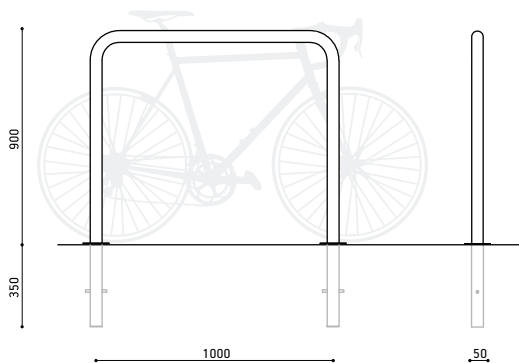
Extra markings in product code:

zn- uncoated zinc
ss- stainless steel

*The use of the legends in the example of satinless steel Kaar 300: **K300ss***

DIMENSIONS

Kaar 1000 bicycle rack - **K1000**



Kaar 300 bicycle rack - **K300**

