

JADA for walls



Design by
Pent Talvet
iseasi

Park bench Jada is a modular urban furniture system which allows easy creation of complete seating areas. You can shape endless combinations to hem city squares, playgrounds, meandering walkways or to fill a plaza with surprising configurations. Jada seat modules for walls with and without a backrest are an addition to the Jada product family to furnish and revitalize walls and landscape design steps in urban spaces.

Jada´s modularity allows you to form a different solution to suit an idea or space requirements.

FEATURES

Designed specifically to complement landscaped steps and urban walls.

The modular solution enables versatile use of modules with and without a backrest.

Suitable for installation on both narrow and wide walls.

For the most comfortable sitting, the height of the wall should be about 415 mm in the case of a module with a backrest.

There are no visible fasteners on the surfaces.

The hot-dip galvanized and powder-coated steel frame and high-quality, knot-free wooden material makes the product very resistant to weather and use.

Extery quality without compromise- harmonious design, carefully selected materials and engineering considered to the last detail.



METAL

The steel frame is available in hot-dip galvanized and powder coated finish. The hot-dip galvanizing is done according to ISO 1461:2009 standard.

RAL recommendation by designer:



RAL 7016
+ graffiti
protection



RAL 7039

WOOD

The wood selection includes double layer oil coated knot-free thermo-treated ash and tropical wood. Tropical wood has no top coat.



Thermotreated
ash (oiled)



Tropical wood

INSTALLATION

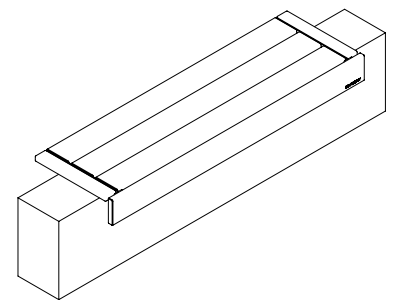
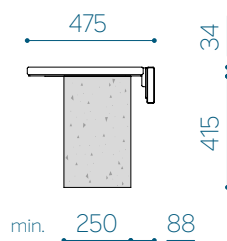
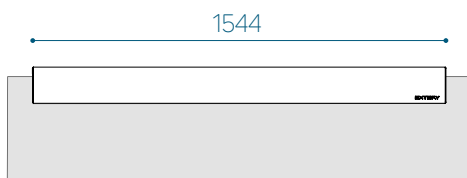
Anchored on the wall.

Material marking in product code:
a- thermotreated ash
t- tropical wood

Example of the code use for Jada wall bench without a backrest, with tropical wood: JMJ154-t

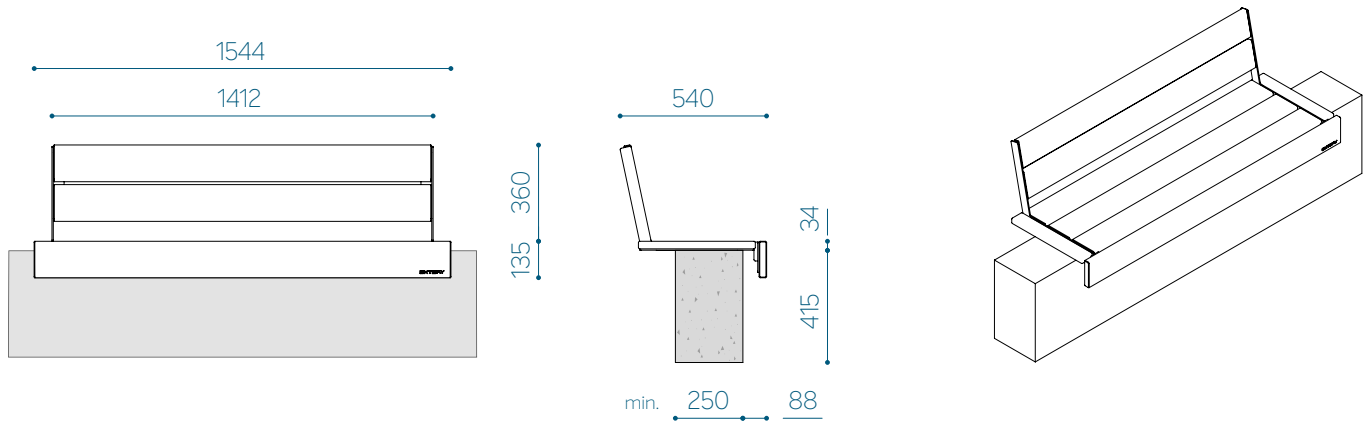
DIMENSIONS AND VARIATIONS

Jada wall bench, without backrest - JMJ154

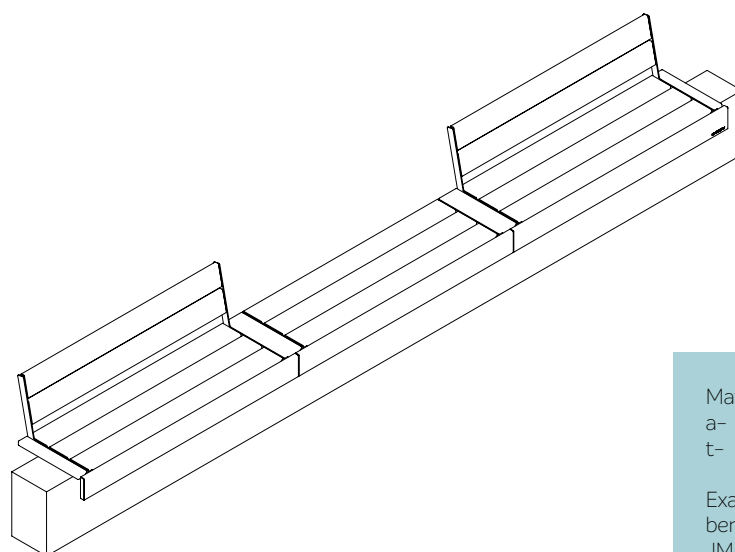
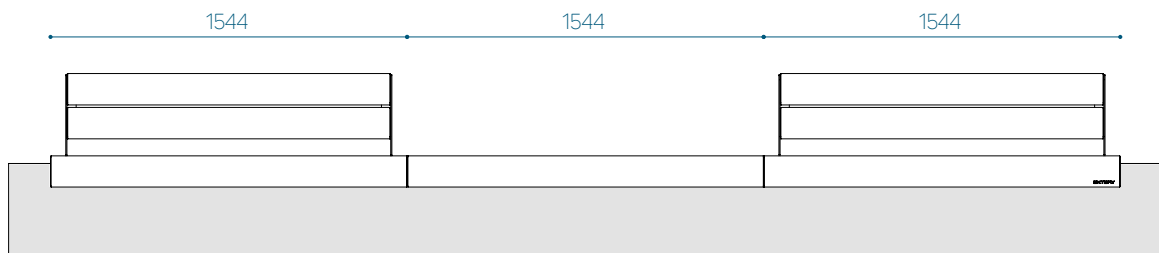


DIMENSIONS AND VARIATIONS

Jada wall bench, with backrest - JMB154



An example of combining modules with and without a backrest:



Material marking in product code:
a- thermotreated ash
t- tropical wood

Example of the code use for Jada wall bench with backrest and tropical wood:
JMB154-t