



Jada

Jada is a modular urban furniture system which allows easy creation of complete sitting areas. You can shape endless combinations to hem city squares, playgrounds, meandering walkways or to fill a plaza with suprising configurations.

Backrests can be placed next to each other or facing each other allowing the creation of lying areas or separate slots for more privacy. Tables can be set in cozy private slots or can be organized around seatings to promote togetherness and create social gathering areas.



Design by Pent Talvet, iseasi





Jada - modular bench

FEATURES

The modular solution allows you to combine endless solutions.

Fast installation of backrests and tables.

Easily replaceable wooden parts.

Hot-dip galvanized and powder-coated steel parts have the best corrosion resistance and aesthetics.

There are no visible fasteners on the surfaces.

Extery quality without compromise- harmonious design, carefully selected materials and engineering considered to the last detail.

INSTALLATION

Free-standing on a firm base

Anchored to a firm foundation

Material marking in product code:

a- thermo-treated ash
t- tropical wood

*The use of the legend in the example of Jada D370 with thermo-treated ash: **Jada D370-a***

METAL

Construction is available in hot-dip galvanized steel. The hot-dip galvanizing is done according to ISO 1461:2009 standard.

RAL recommendation by designer:



RAL 7039



RAL 7016
+ graffiti protection

WOOD

The wood selection includes double layer oil coated branchless thermo-treated ash and branchless tropical wood with no treatment.

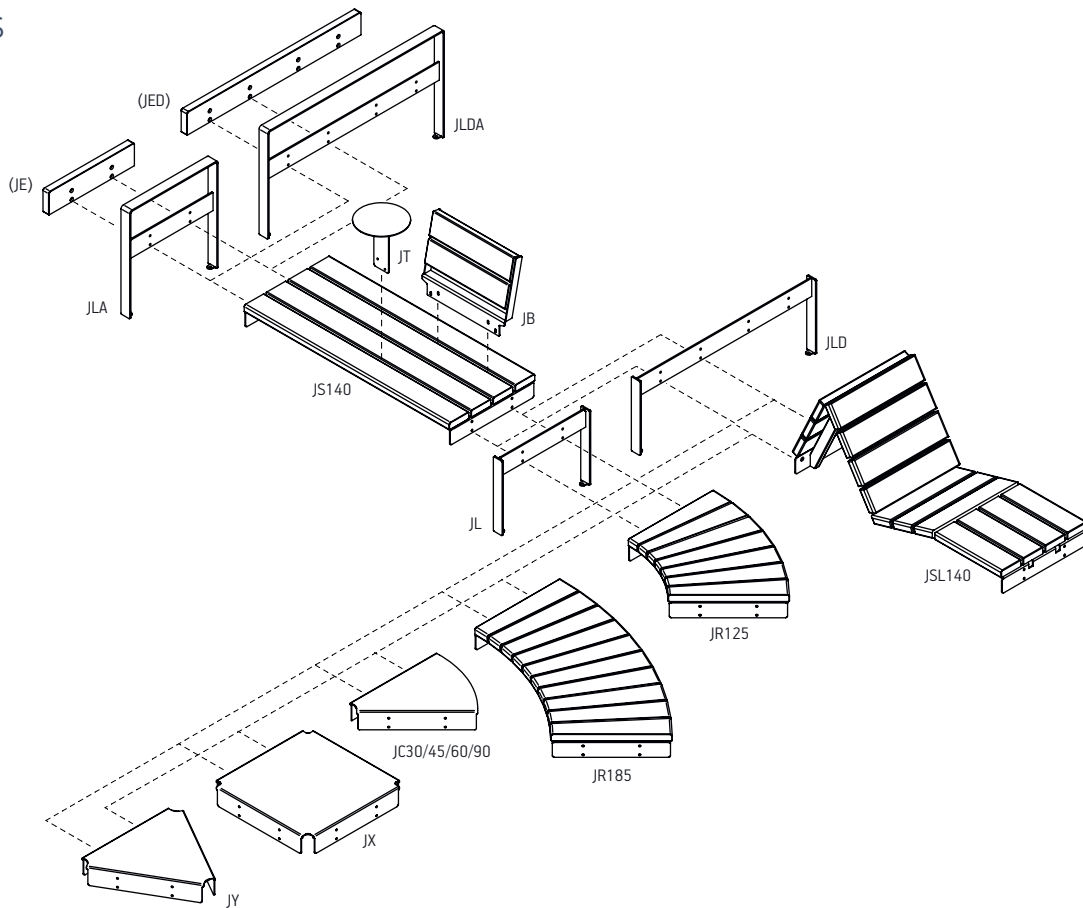


Thermo-treated
ash (oiled)



Tropical wood
natural

JADA MODULES



Product	Code	Measures, mm	Measures, mm	Measures, mm
Jada straight module	JS140	Length 1400	Seating depth 600	
Jada lounge module	JSL140	Length 1400	Seating depth 600	
Jada arc module 1	JR125	Outer radius 1250 mm	Seating depth 600	Arc reach 45°
Jada arc module 2	JR185	Outer radius 1850 mm	Seating depth 600	Arc reach 45°
Short leg	JL	Height 470	Width 600	
Double leg	JLD	Height 470	Width 1200	
Backrest	JB		Width 600	
Table	JT	D280	Height 200	
Short leg with armrest	JLA	Height 470	Width 600	Armrest height 180
Double leg with armrest	JLDA	Height 470	Width 1200	Armrest height 180
Direction changer angle	JC30/45/60/90			
Divider into 4	JX	Length 600	Width 600	
Divider into 3	JY	Length 600		

JADA SETS

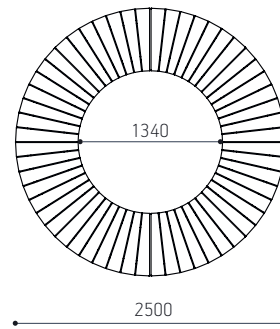
Circular bench Jada D250

JD250

Set modules:

8 x JR125

8 x JL



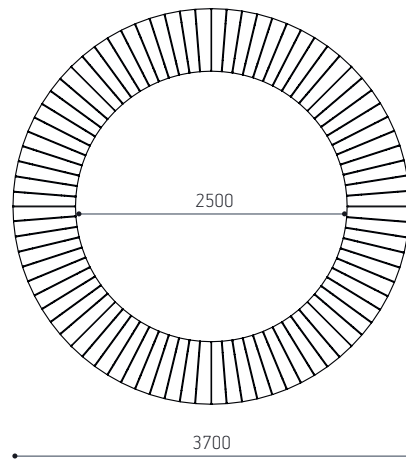
Circular bench Jada D370

JD370

Set modules:

8 x JR185

8 x JL



Circular bench Jada, double

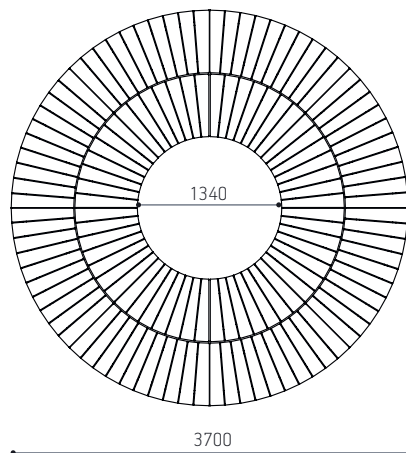
JD370-250

Set modules:

8 x JR125

8 x JR185

8 x JLD



If you wish to change the set,
ask us for DWG files.

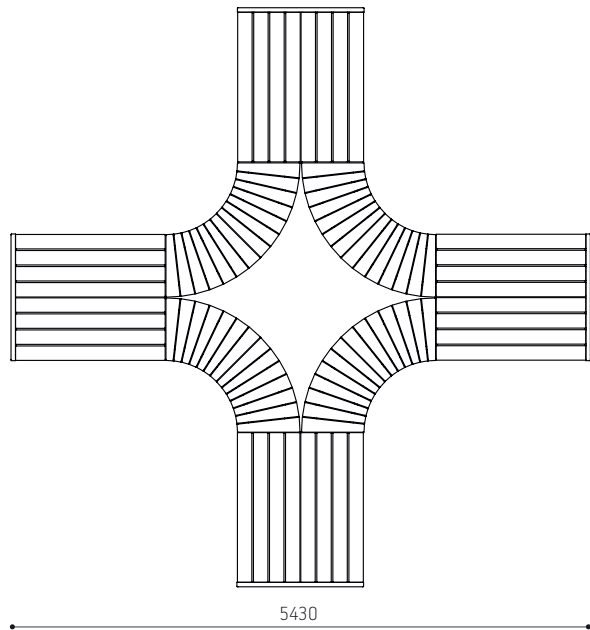
JADA SETS

Park bench Jada SET01

JSET01

Set modules:

- 8 x JR125
- 8 x JS140
- 8 x JLD
- 4 x JL
- 4 x JED

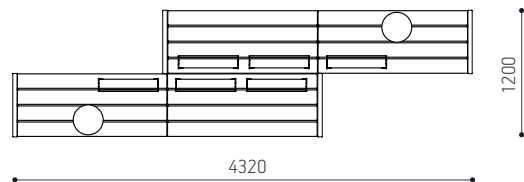


Park bench Jada SET02

JSET02

Set modules:

- 6 x JB
- 2 x JT
- 4 x JS140
- 2 x JL
- 2 x JLD
- 4 x JE

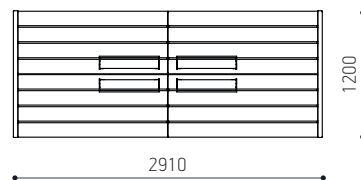


Park bench Jada SET03

JSET03

Set modules:

- 4 x JB
- 4 x JS140
- 3 x JLD
- 2 x JED

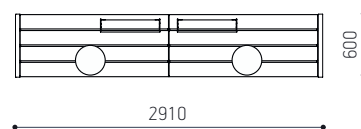


Park bench Jada SET04

JSET04

Set modules:

- 2 x JS140
- 2 x JB
- 2 x JT
- 3 x JL
- 2 x JE



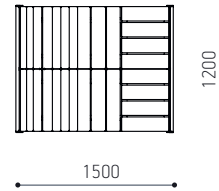
If you wish to change the set,
ask us for DWG files.

JADA SETS

Park bench Jada SET05

JSET05

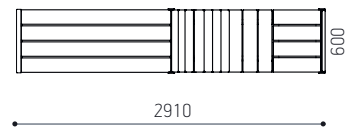
Set modules:
2 x JSL140
2 x JLD
2 x JED



Park bench Jada SET06

JSET06

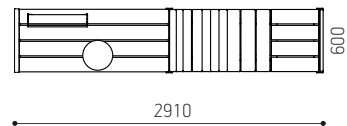
Set modules:
1 x JSL140
1 x JS140
3 x JL
2 x JE



Park bench Jada SET06-2

JSET06-2

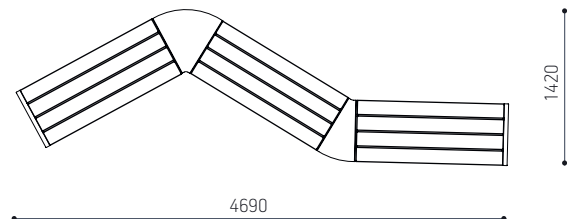
Set modules:
1 x JB
1 x JT
1 x JSL140
1 x JS140
3 x JL
2 x JE



Park bench Jada SET07

JSET07

Set modules:
3 x JS140
1 x JC30
1 x JC60
4 x JL
2 x JLA
2 x JE



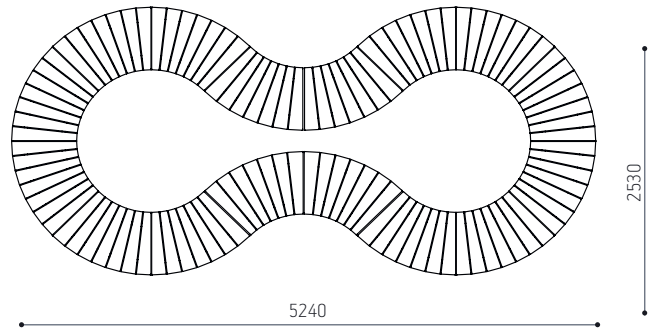
If you wish to change the set,
ask us for DWG files.

JADA SETS

Park bench Jada SET08

JSET08

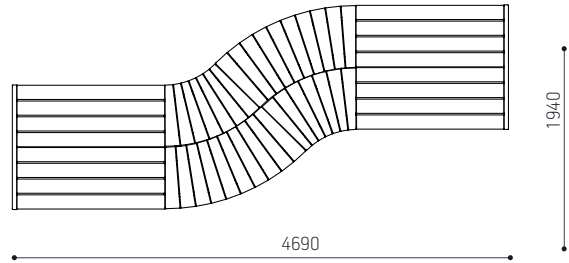
Set modules:
16 x JR125
16 x JL



Park bench Jada SET09

JSET09

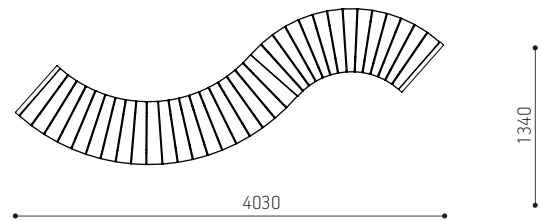
Set modules:
4 x JS140
2 x JR125
2 x JR185
5 x JLD
2 x JED



Park bench Jada SET10

JSET10

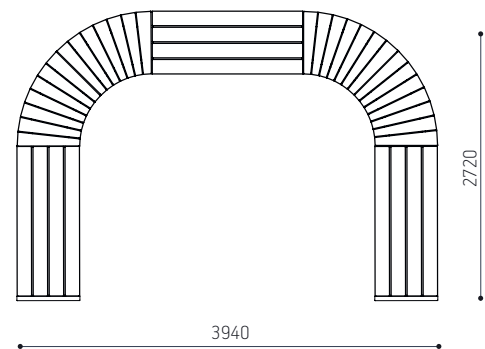
Set modules:
2 x JR128
2 x JR125
5 x JL
2 x JE



Park bench Jada SET11

JSET11

Set modules:
3 x JS140
4 x JR125
8 x JL
2 x JE



If you wish to change the set,
ask us for DWG files.

JADA SETS

Park bench Jada SET12

JSET12

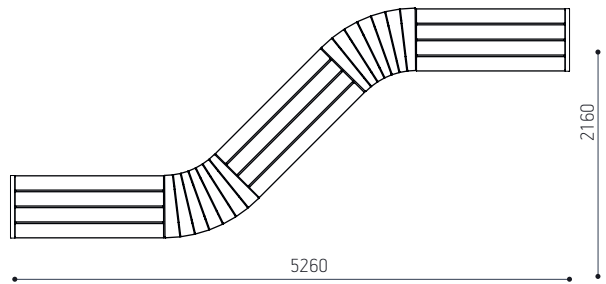
Set modules:

3 x JS140

2 x JR125

6 x JL

2 x JE



Park bench Jada SET13

JSET13

Set modules:

4 x JB

3 x JS140

1 x JLA

3 x JL

2 x JE



Park bench Jada SET14

JSET14

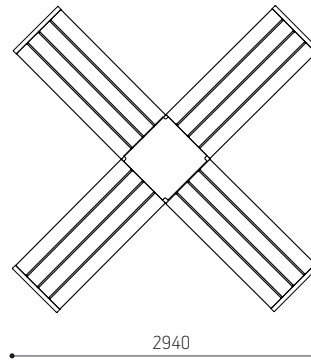
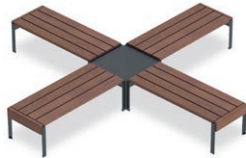
Set modules:

4 x JS140

8 x JL

1 x JX

4 x JE



Park bench Jada SET15

JSET15

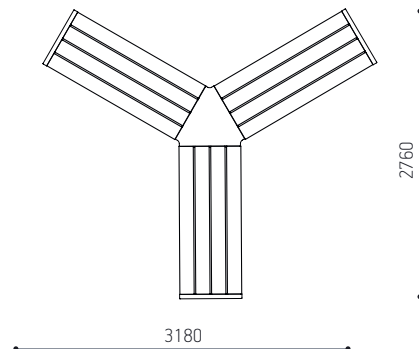
Set modules:

3 x JS140

1 x JY

6 x JL

3 x JE



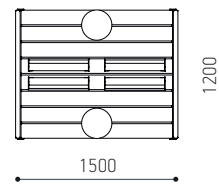
If you wish to change the set,
ask us for DWG files.

JADA SETS

Park bench Jada SET16

JSET16

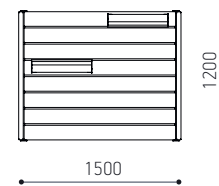
Set modules:
2 x JS140
4 x JB
2 x JT
2 x JLD
2 x JED



Park bench Jada SET16-2

JSET16-2

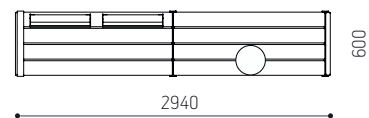
Set modules:
2 x JS140
2 x JB
2 x JLD
2 x JED



Park bench Jada SET17

JSET17

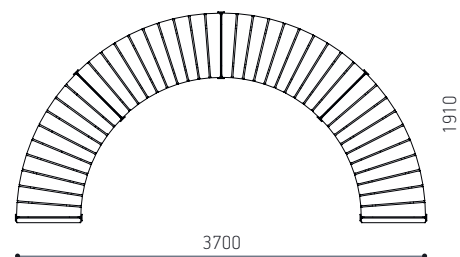
Set modules:
2 x JS140
2 x JB
1 x JT
1 x JLA
2 x JL
2 x JE



Jada semi circle D370

JD370-02

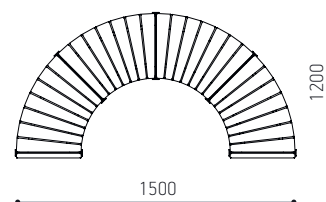
Set modules:
4 x JR185
5 x JL
2 x JE



Jada semi circle D250

JD250-02

Set modules:
4 x JR125
5 x JL
2 x JE



If you wish to change the set,
ask us for DWG files.