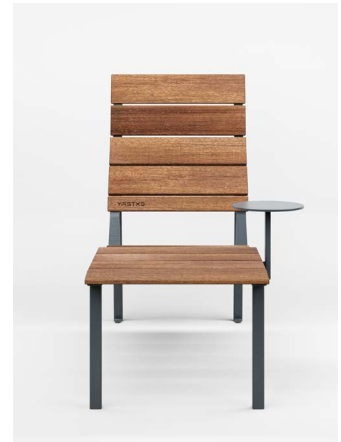


LINN lounge



Design by
Pent Talvet
iseasi

The *chaise longue* that complements the Linn series is not just another lounge chair. Its seating position and ergonomics have been carefully selected to provide a comfortable moment of rest for people of all ages and heights. The higher and straighter back of the chair is suitable for both reading a book and browsing the phone. The shorter footrest leaves the shoes comfortably over the edge, making the chair ideal not only for cloudless beach season on the shore, but also able to offer value and versatile uses in an urban environment.



FEATURES

Elegant and graceful, suitable for various environments.

Excellent seating comfort achieved by special profiling of wood.

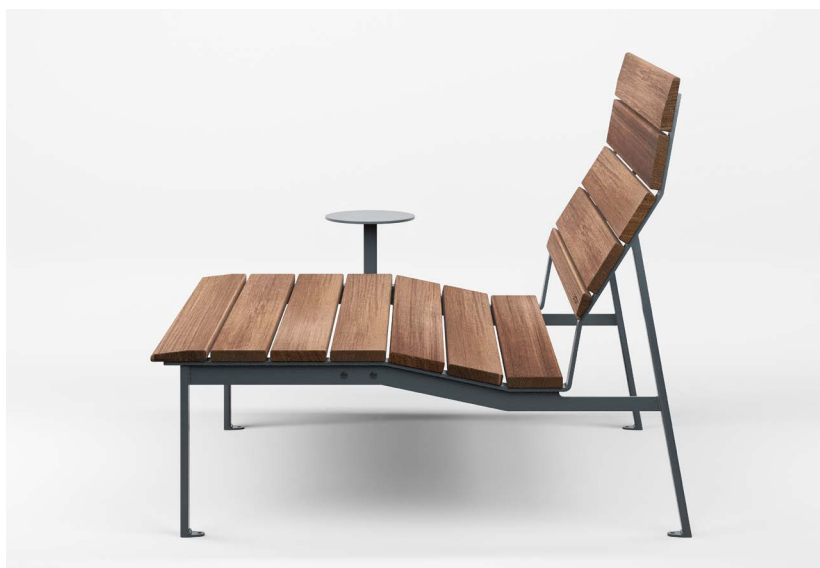
The lounge chair is also available with a cocktail table.

Available in both single and double widths.

To ensure the longevity of the products in the demanding public outdoor environment, careful consideration has foremost been given to the selection of wood thicknesses and the radiuses of the wood edges.

No visible fixing materials on the top surfaces of the wooden parts to ensure a pleasing look and feel of the products.

EXTERY quality without compromise- harmonious design, carefully selected materials and engineering considered to the last detail.



METAL

The frame is available in powder coated hot-dip galvanized steel. The hot-dip galvanizing is done according to ISO 1461:2009 standard.

RAL recommendation by designer:



RAL 7016
+ graffiti protection



RAL 7039



Antique silver

WOOD

The wood selection includes double layer oil coated knot-free thermo-treated ash and tropical wood. Tropical wood has no top coat.



Thermotreated
ash (oiled)



Tropical wood

INSTALLATION

Freestanding on a firm base.

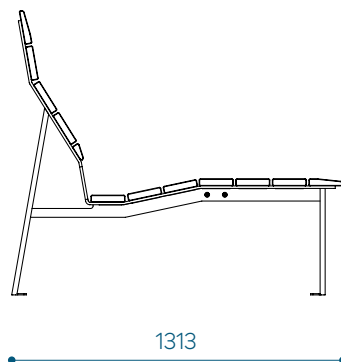
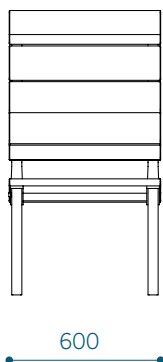
Anchored to a firm foundation.

Material marking in product code:
a- thermotreated ash
t- tropical wood

Example of the code use for lounge 60
with tropical wood: LINL60-t

DIMENSIONS AND VARIATIONS

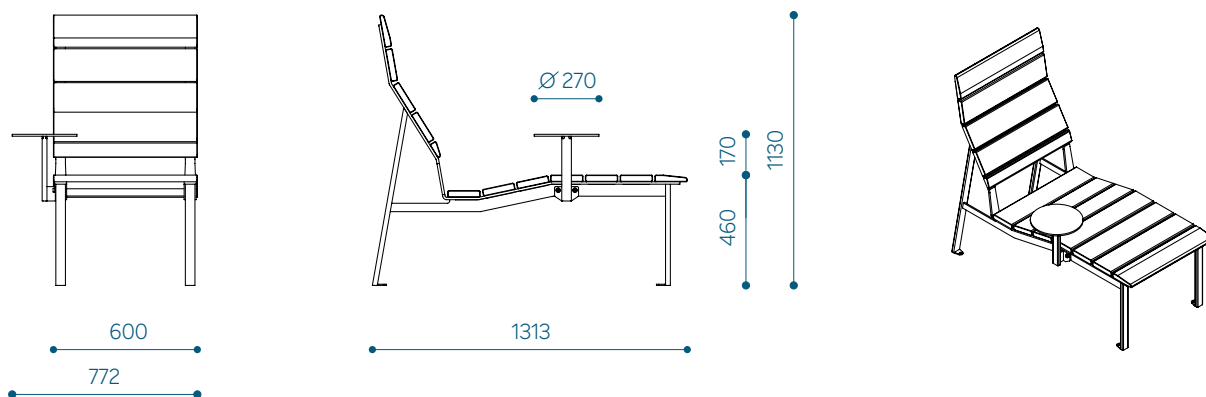
Linn lounge 60 - LINL60



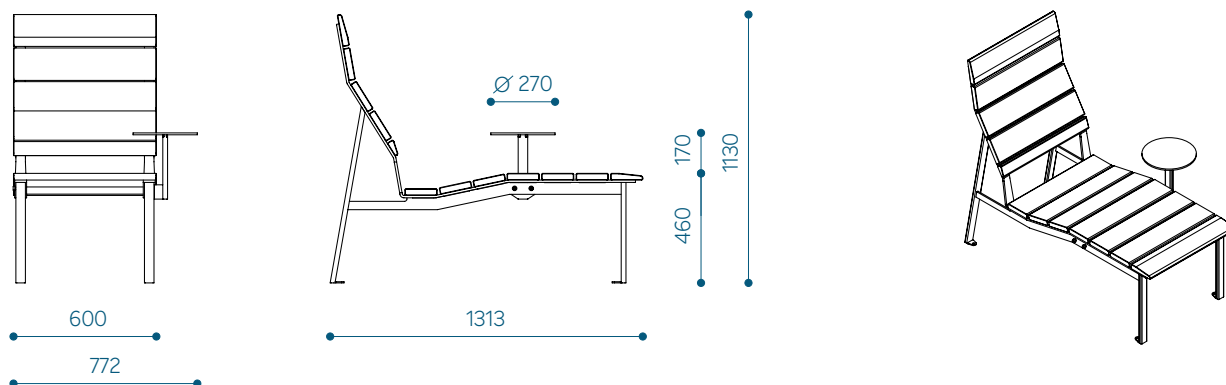


DIMENSIONS AND VARIATIONS

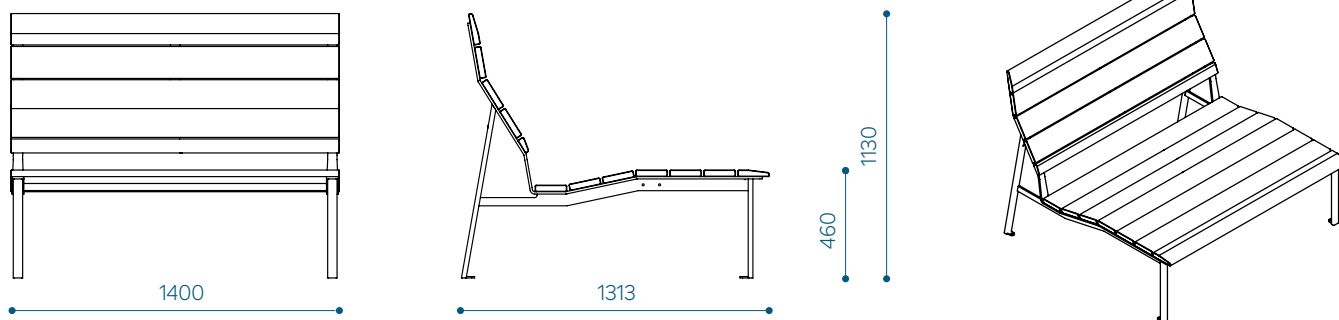
Linn lounge 60, right table - LINL60-04



Linn lounge 60, left table - LINL60-05



Linn lounge 140 - LINL140



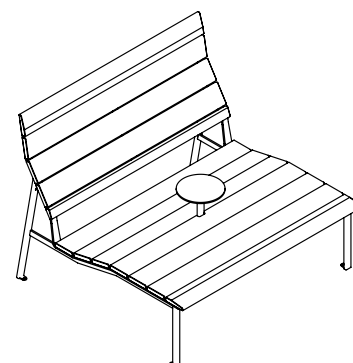
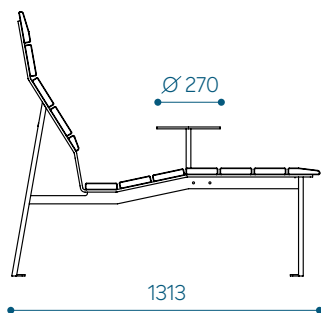
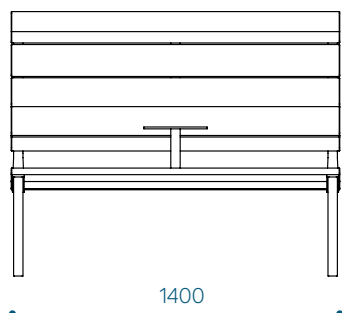
Material marking in product code:
 a- thermotreated ash
 t- tropical wood

Example of the code use for lounge 60 with right table and tropical wood: LINL60-04-t



DIMENSIONS AND VARIATIONS

Linn lounge 140, with table - LINL140-06



Material marking in product code:
a- thermotreated ash
t- tropical wood

Example of the code use for lounge 140
with tropical wood: LINL140-t