

TRIO litter bin



Design by
Sven Sörmus
iseasi

Litter bin TRIO is a bin system for sorted waste in public places. The litter bin family comes in a variety of sizes and combinations from which you can find suitable to use both in outdoors and indoors.

Additional individual litter bins in the family makes the use of the family more flexible for the surrounding environment.

The protruding waste openings act as a carefully considered design element, giving Trio its distinctive and recognizable character.

For more humane bottle circulation Trio has special bottle shelves separated from other waste in the bin body.

TRIO litter bin



FEATURES

The separate shelf for bottles integrated in the bin makes the bottle circulation fast and clean.

Spacious ashtray inside the lid separated from the other waste opens with an easy movement.

The height of the plinth ensures comfortable maintenance also during snowy weather conditions.

Emptying: opening with a triangular key. Inside is a removable metal container for easy and safe maintenance.

Extery quality without compromise – harmonious design, carefully selected materials and engineering considered to the last detail.



METAL

Hot-dip galvanized and powder coated sheet metal corpus and metal frame. The frame galvanization meets the ISO 1461:2009 standard.

RAL recommendation by designer:



RAL 7016
+ graffiti
protection



RAL 7039

INSTALLATION

Anchored to a firm foundation

EXTRAS

Anti-graffiti coating – we offer the possibility to cover the waste bin with anti-graffiti coating. The anti-graffiti coating is repellent to the new color and makes the surface of the product very easy to clean.

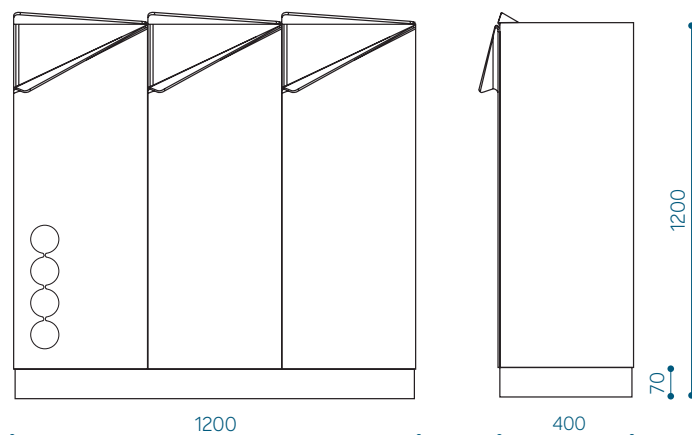
Material marking in product code:
G– anti-graffiti coating

The use of the legend for Trio M3 with anti-graffiti coating: TRIM3-G

DIMENSIONS AND VARIATIONS

Trio M3 litter bin – TRIM3

Capacity: 3 x 120 l

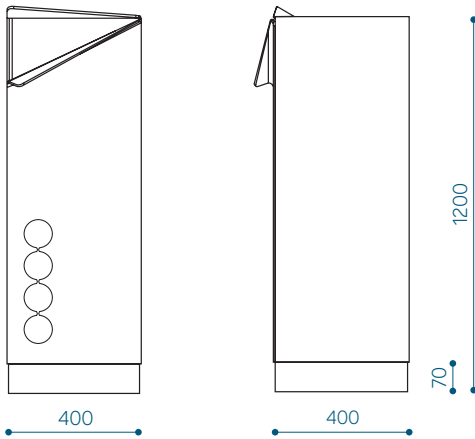




DIMENSIONS AND VARIATIONS

Trio M1 litter bin - TRIM1

Capacity: 120 l

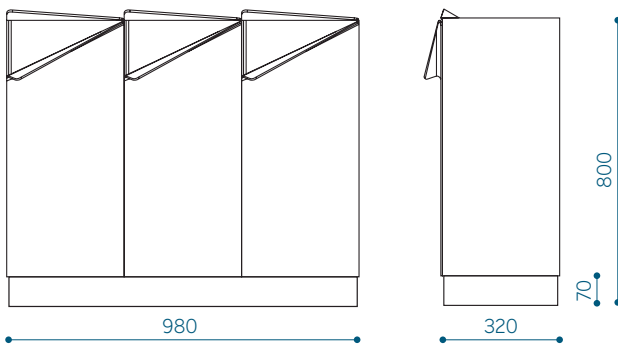


Material marking in product code:
G- anti-graffiti coating

The use of the legend for Trio M1 with
anti-graffiti coating: TRIM1-G

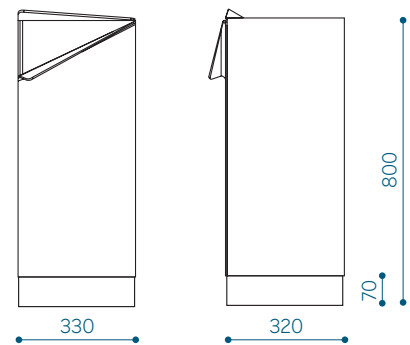
Trio S3 litter bin - TRIS3

Capacity: 3 x 45 l



Trio S1 litter bin - TRIS1

Capacity: 45 l



WASTE SORTING STICKER

